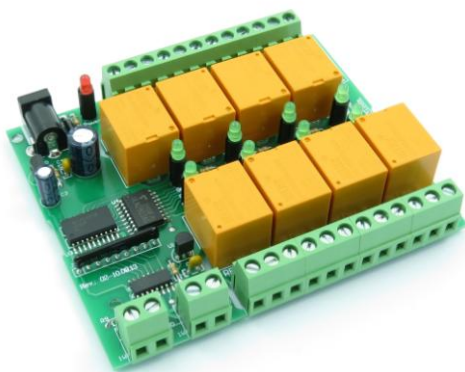


1-Wire Eight Channel Relay Module

User Manual
Date: 08 Aug 2017



Content

1. Features	3
2. Applications examples	3
3. Typical connections	4
4. Relay module overview.....	5
5. 1-Wire terminal block connectors	6
6. Relay contacts	7
7. Power connector	8
8. Software	9
9. PCB dimensions	11
10. BOX dimensions	12

1. Features

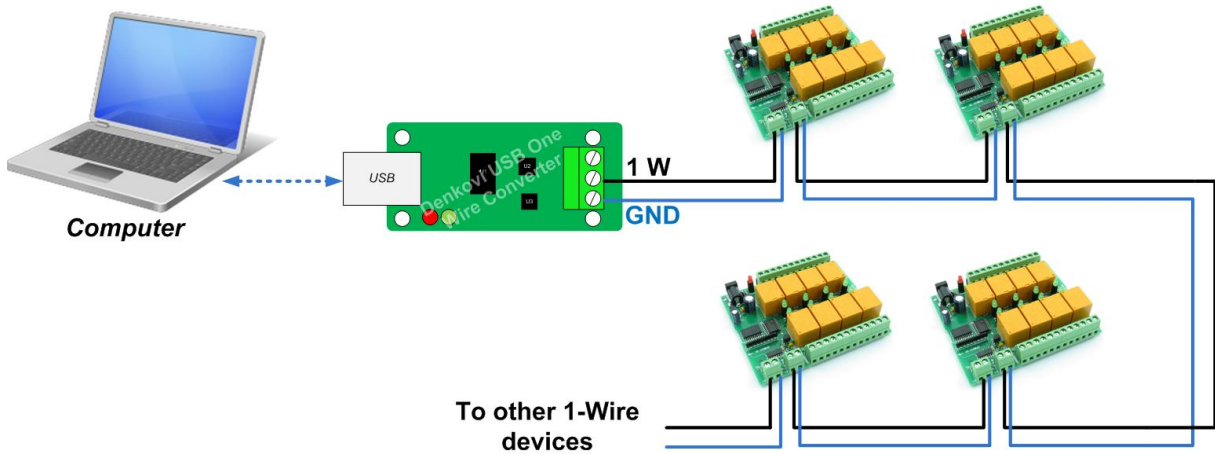
- 8 x SPDT relays - 10A / 250VAC, 15A / 120VAC, 10A / 28VDC;
- 2 x screw terminal blocks for easy 1-wire network connection, each with GND and 1W;
- Power supply: 12V DC / 300mA
- Chipset: DS2408
- Led-s for relays and power on
- Large number of free software and source code
- Supported by One Wire Viewer and TMEX of MAXIM-DALLAS and Denkovi 1-Wire Command Line Tool
- Operating temperature range: from -30 °C to +80 °C
- PCB parameters : FR4 / 1.5mm / two layers / metallized holes / HAL / white stamp / solder mask / Extra PCB openings for better voltage isolation / Doubled PCB tracks for better voltage isolation
- PCB dimensions: 84mm x 99mm
- Optional housing (BOX)
- Product code: [DAE-8RELAYS-1WIRE](#)

2. Applications examples

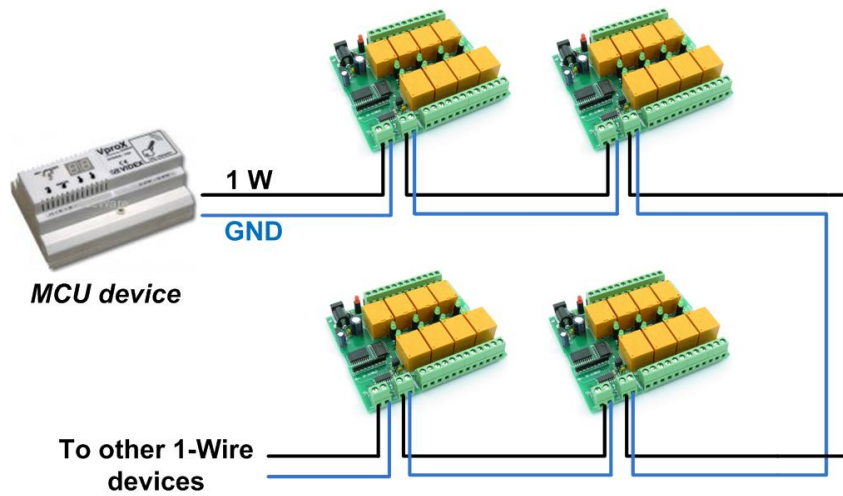
- Home automation
- Industrial automation
- Distributed systems

3. Typical connections

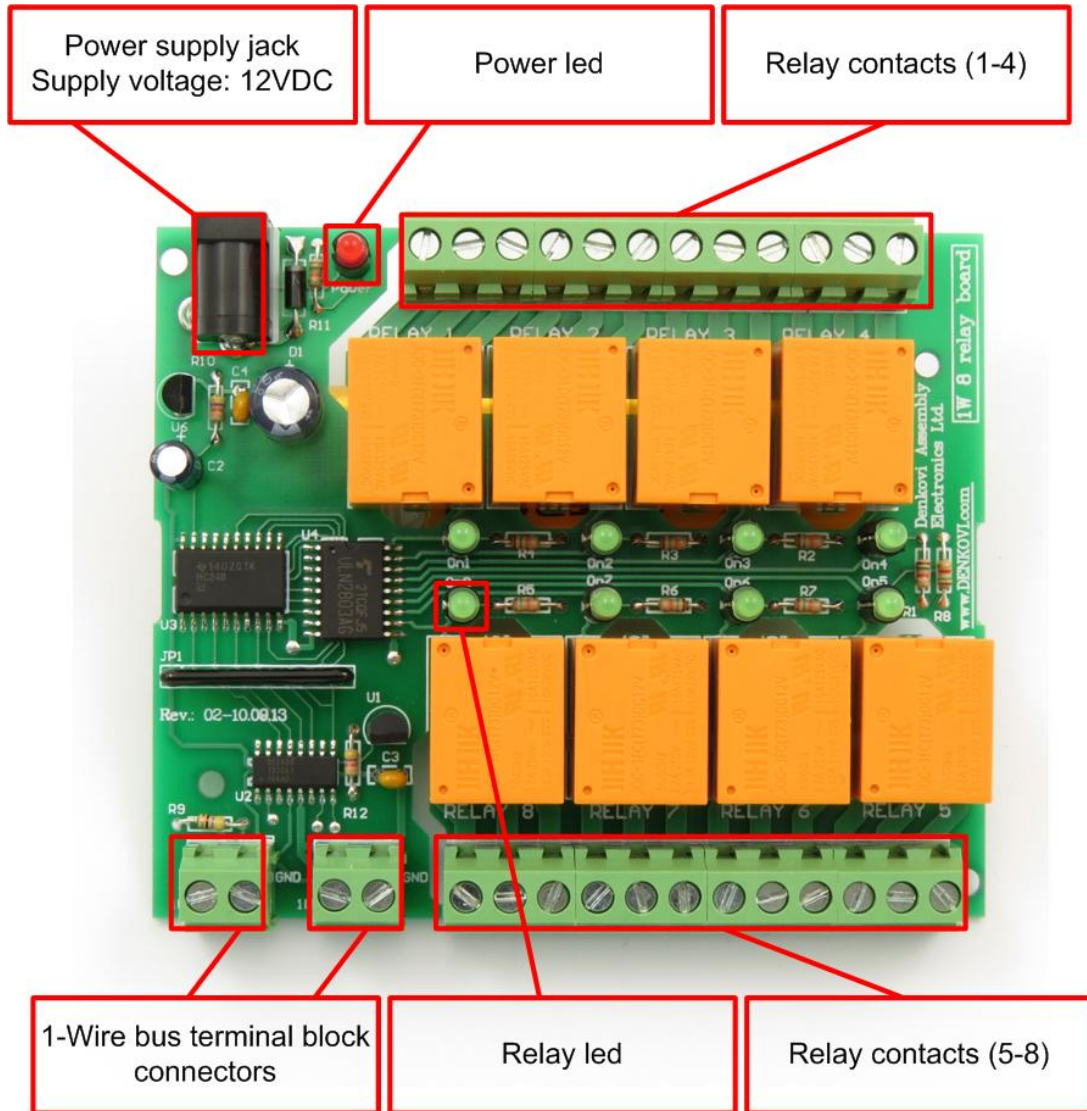
3.1. Connecting to computer



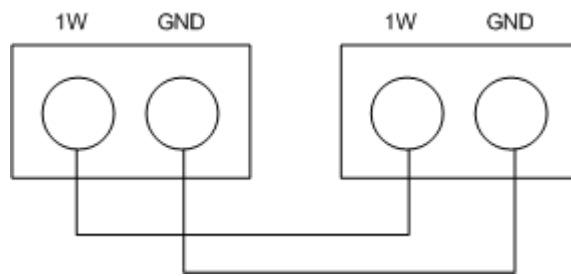
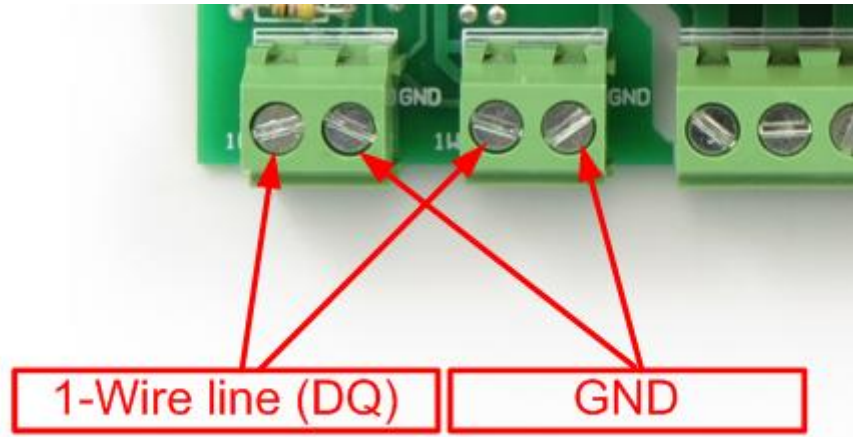
3.2. Connecting to MCU device



4. Relay module overview

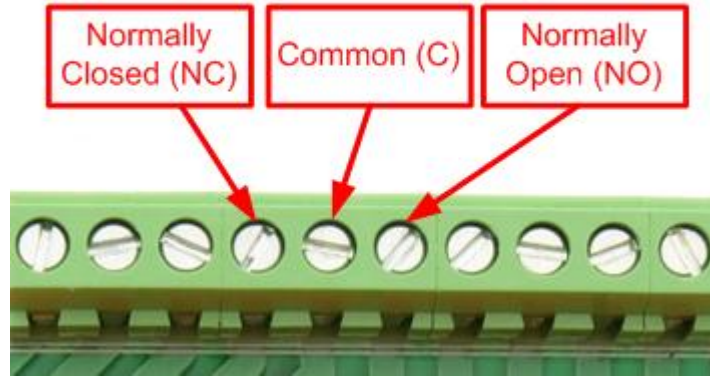


5. 1-Wire terminal block connectors

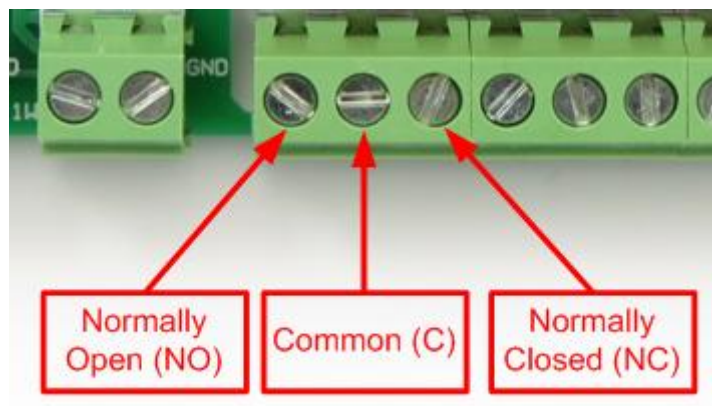


6. Relay contacts

- Relays 1 - 4



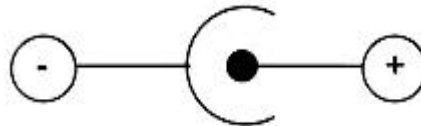
- Relays 5 - 8



7. Power connector



The power supply connector is with center positive polarity (shown on the figure below).



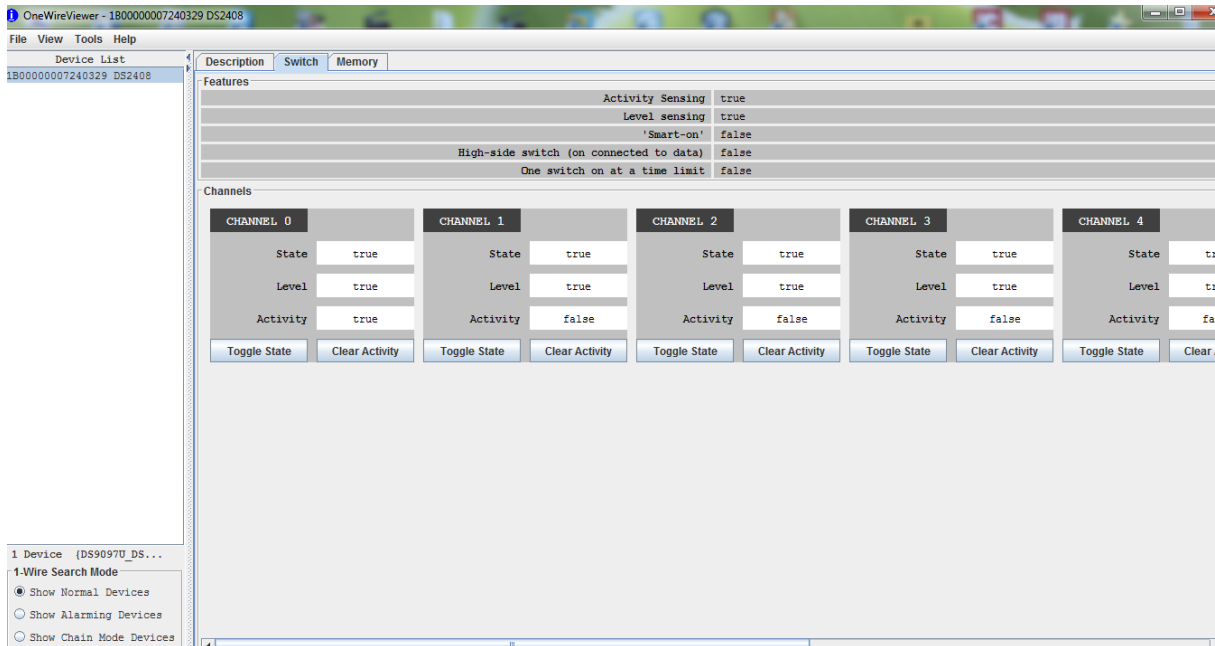
The supply voltage for this relay module is **12V DC** +- 5%

8. Software

8.1. OneWireViewer

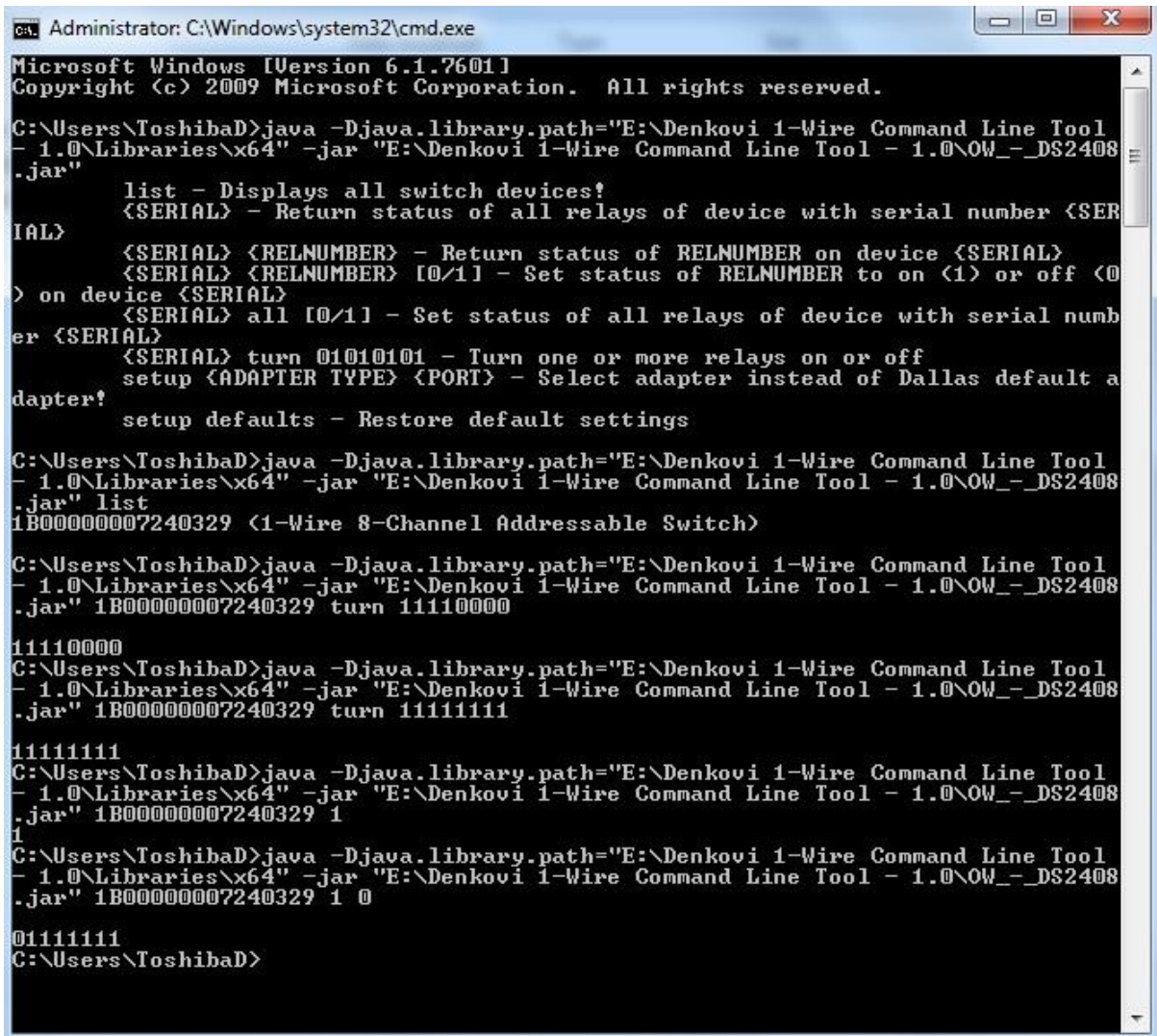
Download from here:

<http://www.maximintegrated.com/products/ibutton/software/1wire/OneWireViewer.cfm>



8.2. Denkovi 1-wire command line tool

The relay board is supported by Denkovi 1-wire command line tool. Download from here: <http://denkovi.com/page/49/denkovi-1-wire-command-line-tool.html>



```
Administrator: C:\Windows\system32\cmd.exe
Microsoft Windows [Version 6.1.7601]
Copyright (c) 2009 Microsoft Corporation. All rights reserved.

C:\Users\ToshibaD>java -Djava.library.path="E:\Denkovi 1-Wire Command Line Tool
- 1.0\Libraries\x64" -jar "E:\Denkovi 1-Wire Command Line Tool - 1.0\OW_-_DS2408
.jar"
    list - Displays all switch devices!
    <SERIAL> - Return status of all relays of device with serial number <SER
IAL>
    <SERIAL> <RELNUMBER> - Return status of RELNUMBER on device <SERIAL>
    <SERIAL> <RELNUMBER> [0/1] - Set status of RELNUMBER to on (1) or off (0
) on device <SERIAL>
    <SERIAL> all [0/1] - Set status of all relays of device with serial numb
er <SERIAL>
    <SERIAL> turn 01010101 - Turn one or more relays on or off
    setup <ADAPTER TYPE> <PORT> - Select adapter instead of Dallas default a
dapter!
    setup defaults - Restore default settings

C:\Users\ToshibaD>java -Djava.library.path="E:\Denkovi 1-Wire Command Line Tool
- 1.0\Libraries\x64" -jar "E:\Denkovi 1-Wire Command Line Tool - 1.0\OW_-_DS2408
.jar" list
1B000000007240329 (1-Wire 8-Channel Addressable Switch)

C:\Users\ToshibaD>java -Djava.library.path="E:\Denkovi 1-Wire Command Line Tool
- 1.0\Libraries\x64" -jar "E:\Denkovi 1-Wire Command Line Tool - 1.0\OW_-_DS2408
.jar" 1B000000007240329 turn 11110000

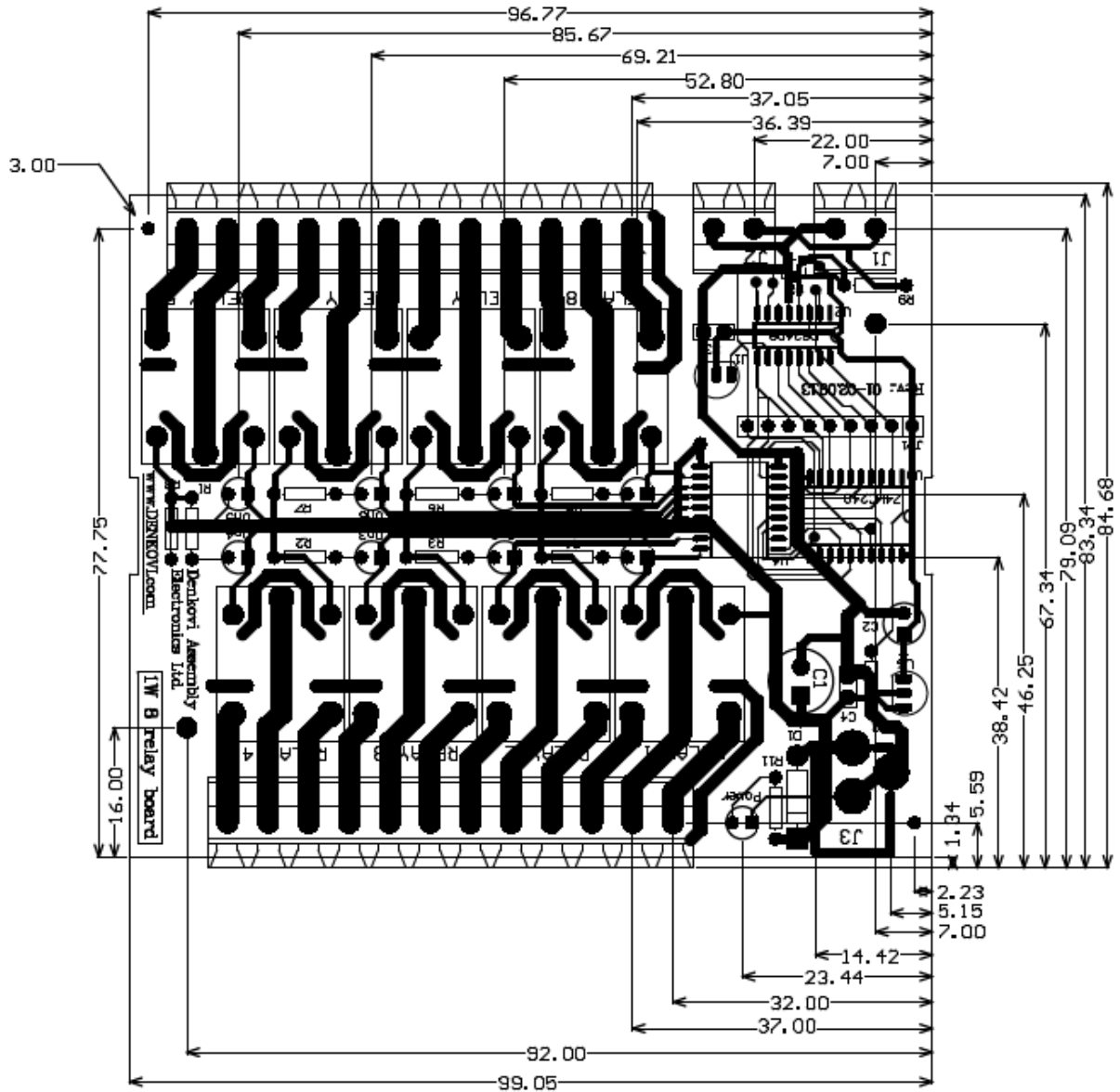
11110000
C:\Users\ToshibaD>java -Djava.library.path="E:\Denkovi 1-Wire Command Line Tool
- 1.0\Libraries\x64" -jar "E:\Denkovi 1-Wire Command Line Tool - 1.0\OW_-_DS2408
.jar" 1B000000007240329 turn 11111111

11111111
C:\Users\ToshibaD>java -Djava.library.path="E:\Denkovi 1-Wire Command Line Tool
- 1.0\Libraries\x64" -jar "E:\Denkovi 1-Wire Command Line Tool - 1.0\OW_-_DS2408
.jar" 1B000000007240329 1

1
C:\Users\ToshibaD>java -Djava.library.path="E:\Denkovi 1-Wire Command Line Tool
- 1.0\Libraries\x64" -jar "E:\Denkovi 1-Wire Command Line Tool - 1.0\OW_-_DS2408
.jar" 1B000000007240329 1 0

01111111
C:\Users\ToshibaD>
```

9. PCB dimensions



10. BOX dimensions

